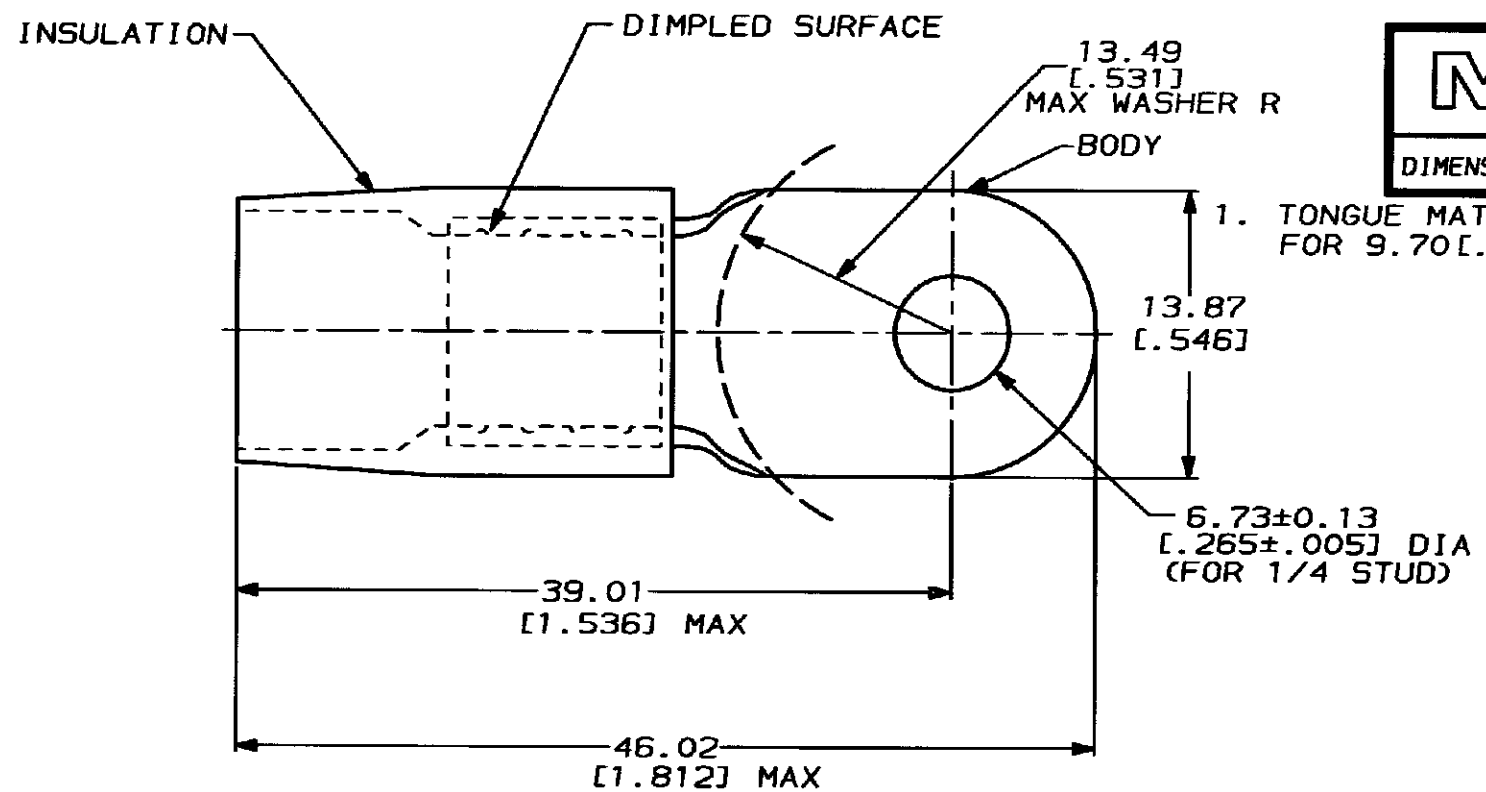


THIS DRAWING IS UNPUBLISHED. RELEASED FOR PUBLICATION .19
 © COPYRIGHT 19 BY AMP INCORPORATED. ALL INTERNATIONAL RIGHTS RESERVED.

LOC	DIST	P	F	REVISIONS			
ZONE	LTR	DESCRIPTION	DATE	APPD			
G	14			H	EC 0720-0279-93	6-18-93	EB

AMP
WIRE RANGE
4 AWG
STRANDED

METRIC
DIMENSIONS LISTED IN mm [INCHES]



1. TONGUE MATERIAL THK 1.22±0.08 [.048±.003] FOR 9.70 [.382] MAX WIRE INS DIA

**AMP INCORPORATED
CUSTOMER SERVICE SYSTEMS**

FOR ADDITIONAL PRODUCT INFORMATION OR COPIES OF DRAWINGS AND TECHNICAL DOCUMENTS	PRODUCT INFORMATION CENTER 1-800-522-6752
FOR APPLICATION TOOLING INFORMATION	TOOLING ASSISTANCE CENTER 1-800-722-1111
FOR ORDER ENTRY	1-800-526-5142

MAX RECOMMENDED OPERATING TEMPERATURE:
105°C

VOLTAGE RATING:
-

CIRCULAR MIL AREA:
16.8-26.7mm² [33, 100-52, 600] STRANDED

MS25036-129 CLASS 2	-	LOOSE PC	324050
MILITARY P/N AND CLASS	QTY	PACKAGE TYPE	PART NO
DO NOT SCALE PRINT. UNLESS SPECIFIED	DR 6-18-93 S.S. GOULDEN	AMP AMP Incorporated Harrisburg, PA 17105-3608	
TOLERANCES ON: 2 PLC DEC ± 0.20(.008) 3 PLC DEC ± - ANGLES ± -	CHK 6-18-93 R. HERSEY	NAME	
MATERIAL COPPER PER ASTM B-152 NYLON (MIL-M-20693) TYPE 1 COLOR: YELLOW	APPD 6-18-93 S. BARE	TERMINAL, RING TONGUE, TERMINYL WIRE SIZE: 4 AWG	
FINISH TIN PLATE PER MIL-T-10727	APPD 6-18-93 H. ELLIS	SIZE	CAGE CODE
	APPLICATION SPEC	B	00779
	WEIGHT	DRAWING NO	C-324050
		SCALE	NTS
		SHEET	1 OF 1